

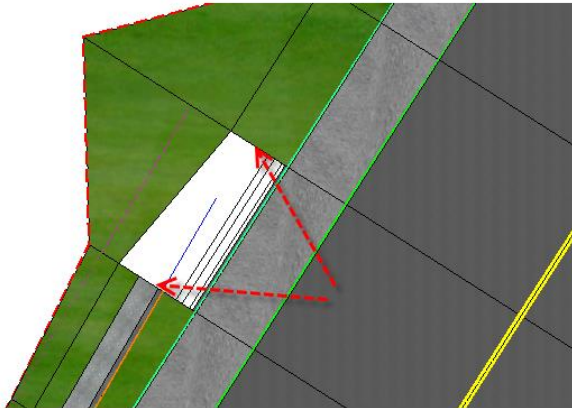
3_2 MISSING OR INACCURATE COMPONENTS FROM IMPORTED GRAPHICS

Question:

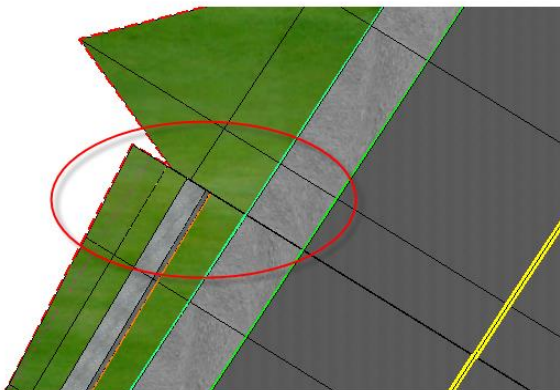
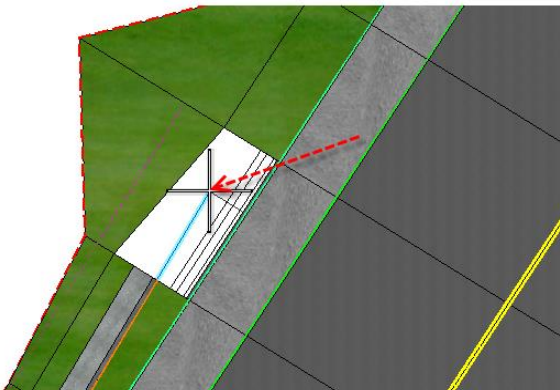
Why are there gaps in the shoulders and the bridge rails not drawn correctly in the model?

Answer:

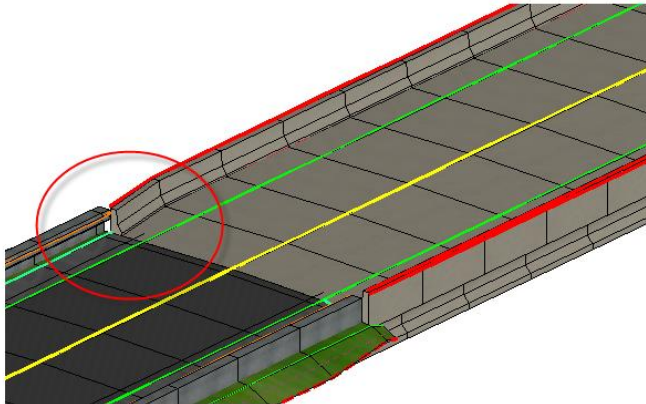
Gaps or missing components are mostly due to transitioning from one component segment to another. In the case of the shoulder, two component segments are possible (4 actually); one for normal shoulder and the other for shoulder with guardrail. The gap is caused by transitioning from shoulder with guardrail to shoulder without guardrail.



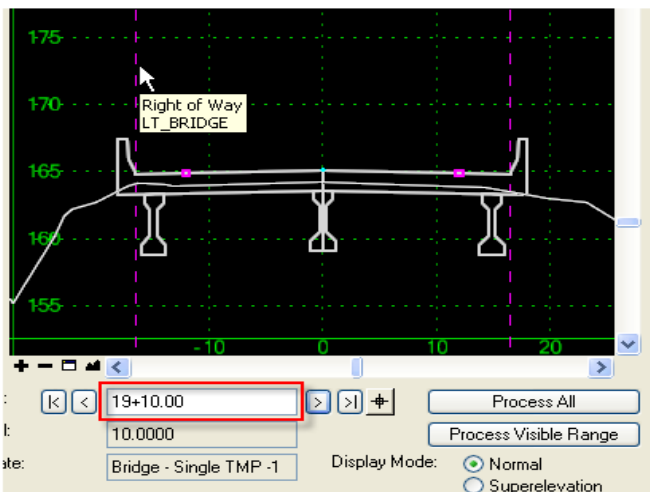
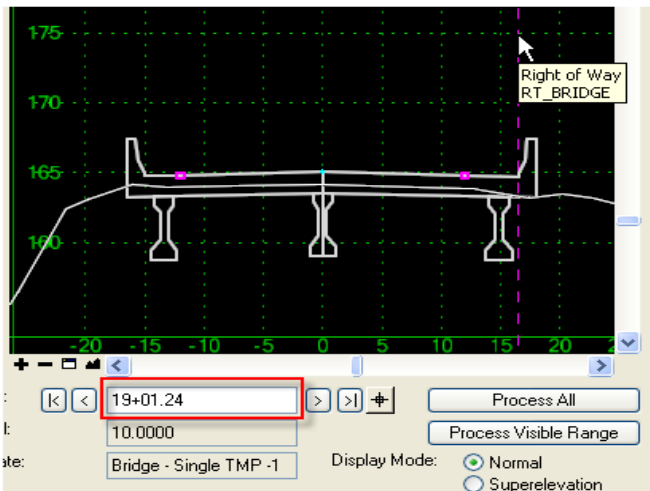
To close the gap, drop a template at the end of the guardrail graphics and another template drop 0.01' away.



The bridge rails not drawn correctly is due to the way the graphics were imported.

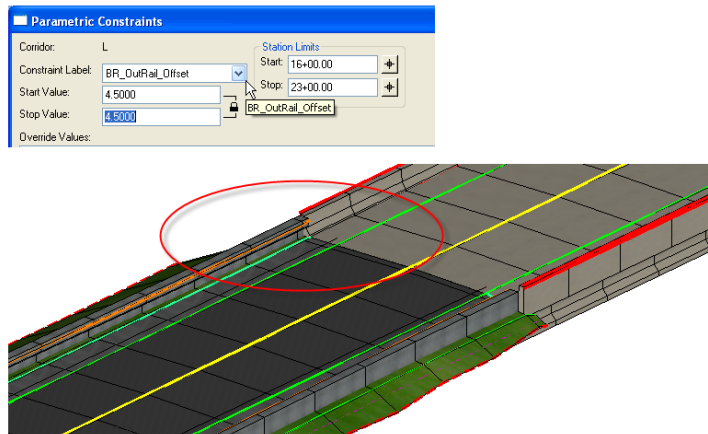


Using Display References, the bridge offset graphics were located by Roadway Designer on the right side, but not on the left side.



To fix the problem, you can extend the bridge rail offset graphics on the left side to the beginning of the bridge. However, our recommendation and the preferred method is not to use the graphics but rather use parametric constraints instead. Set the outside bridge rail offset width by keying in the

"BR_OutRail_Offset" parametric constraint value.



It is important to note that graphics is just one way to control the width of bridges and roadways. Roadway widths are drawn at 12' by default. If you want the width to be shorter or wider, you can use parametric constraints or point controls as a better alternative to graphics. It is not recommended that you store graphics for anything that parametric constraints or point controls can be used to accomplish the same task. Too many problems with the import graphics feature can be expected and it is a time consuming process that is not necessary in most situations.